

iSC GmbH  
Customer Service  
Eschenstraße 6  
94405 Landau/Isar

Telephone: +49 9951 959 2019  
Email: service-de@einhell.com

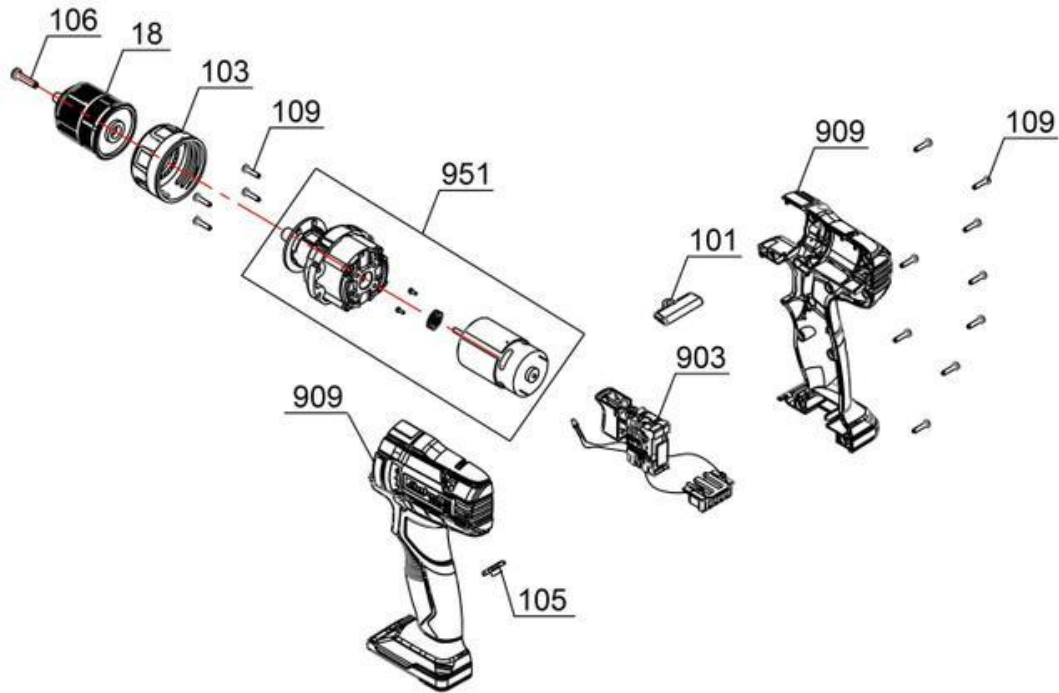


Power Tool Kit  
TC-TK 18 Li Kit

Article number: 4257238  
Ident number: 21020

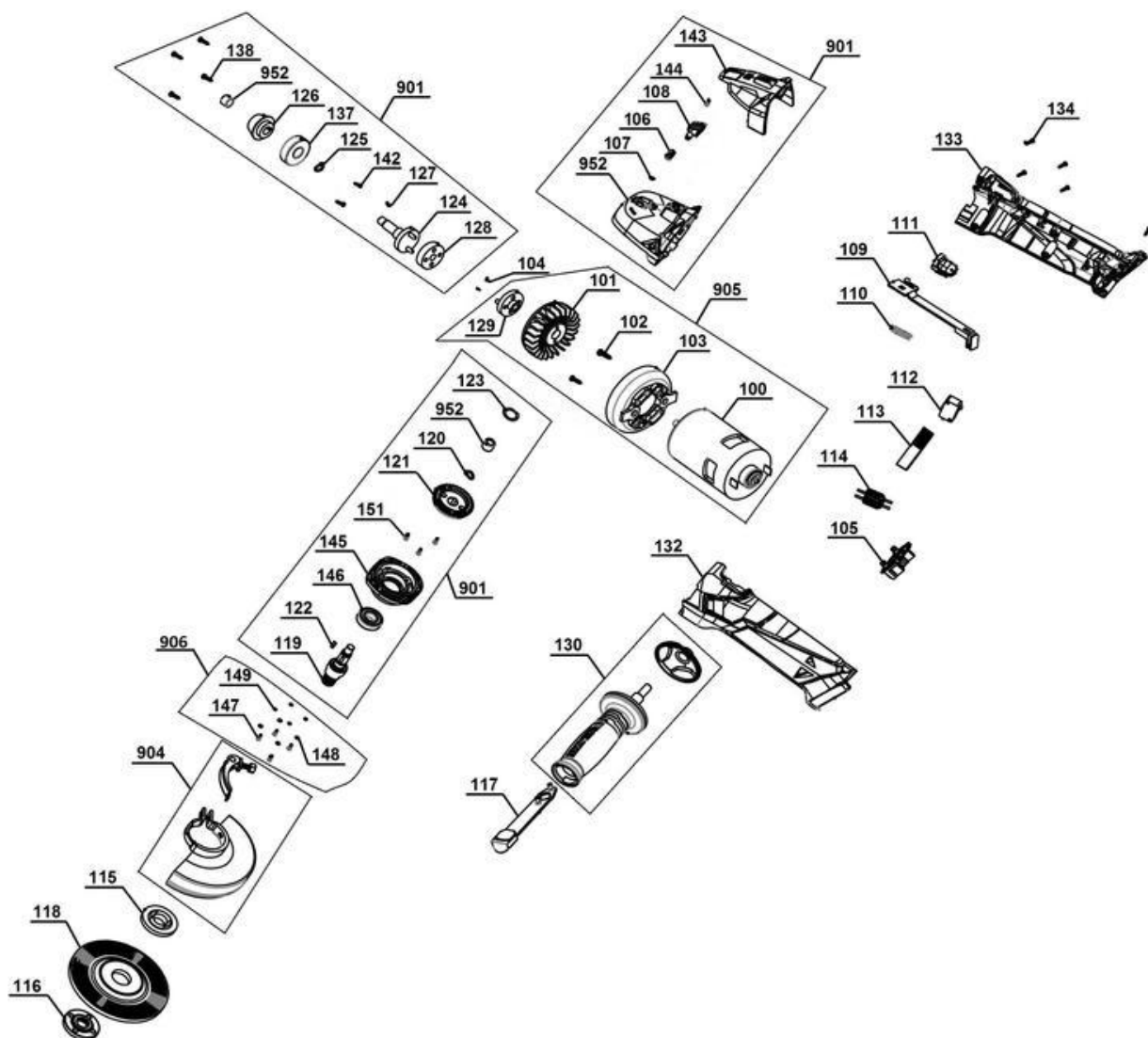
### Spare parts

Pos	Art.	Ident number	Product Name
	4513915	00010	TC-CD 18/35 Li for Kit
	4431131	00010	TC-AG 18/115 Li for Kit
	4511330	00030	Power-X-Change 18V 1,5Ah f.Kit
	4511523	00010	18V 3,0 Ah PXC Plus for Kit
	4512096	00010	PXC 18V 30min f.K. A



## Spare parts

Pos	Art.	Ident number	Product Name
	451391402099	00000	color box
018	451391501018	00000	keyless chuck - quick clamp
101	451391501101	00000	switch left/right hand motion
103	451391501103	00000	torque adjustment ring
105	451391501105	00000	transparent LED cover
106	451391501106	00000	chuck attachment screw
109	451391501109	00000	screw
800	451391501800	00000	chisel and bit set 39pcs
801	451391501801	00000	wood screws 200pcs
903	451391501903	00000	Electrical switch Assembly
909	451391501909	00000	Housing Assembly
951	451391501951	00010	Motor + gearbox assembled



## Spare parts

Pos	Art.	Ident number	Product Name
104	443113001104	00000	screw
105	443113001105	00000	contacts
109	443113001109	00000	switch operating lever
110	443113001110	00000	spring
111	443113001111	00000	compensator
112	443113001112	00000	micro switch
113	443113001113	00000	soft start electronics
114	443113001114	00000	dejam coil
115	443113001115	00000	flange within
116	443113001116	00000	flange outside
117	443113001117	00000	face spanner
118	443113001118	00000	grinding wheel
130	443113001130	00000	additional handle
132	443113001132	00000	half box left
133	443113001133	00000	half box right
134	443113001134	00000	screw
820	425724001820	00000	cutting disc
821	425724001821	00000	flap wheel
822	425724001822	00000	cutting guard
901	443113001901	00010	front cover assembly
904	443113001904	00010	Guard / Protection Device Asse
905	443113001905	00010	Complete Motor Assembly
906	443113001906	00010	screw assembly

Power-X-Change 18V 1,5Ah f.Kit

Article number: 4511330  
Ident number: 00030

## Spare parts

Pos	Art.	Ident number	Product Name
801	451133003801	00000	1,5 Ah (Power XChange-Battery)

18V 3,0 Ah PXC Plus for Kit

Article number: 4511523  
Ident number: 00010

## Spare parts

Pos	Art.	Ident number	Product Name
	451152301850	00000	battery Li-Ion 18V 3 Ah (PXC-P
	451152301791	00000	data label

PXC 18V 30min f.K. A

Article number: 4512096  
Ident number: 00010

## Spare parts

Pos	Art.	Ident number	Product Name
	451209601862	00000	charger Power X-Change 3Ah (UK)
	451209601863	00000	charger Power XC 3Ah (ARG)
	451209601791	00000	data label
851	451209601851	00000	charger Power X-Change



Motor + gearbox assembled

Article number: 451391501951  
Ident number: 00010

## Spare parts

Pos	Art.	Ident number	Product Name
905	451391501905	00000	Complete Engine Assembly
915	451391501915	00000	Complete Drive Unit Assembly

front cover assembly

Article number: 443113001901  
Ident number: 00010

## Spare parts

Pos	Art.	Ident number	Product Name
106	443113001106	00000	spring
107	443113001107	00000	retaining ring
108	443113001108	00000	arrest button
119	443113001119	00000	output shaft
120	443113001120	00000	retainer
121	443113001121	00000	gear wheel
122	443113001122	00000	cotter
123	443113001123	00000	spring lock washer
124	443113001124	00000	drive shaft
125	443113001125	00000	retaining ring
126	443113001126	00000	bevel gear
127	443113001127	00000	cotter
128	443113001128	00000	coupling disc
137	443113001137	00000	ball bearing
138	443113001138	00000	screw
142	443113001142	00000	screw
143	443113001143	00000	decoration cover
144	443113001144	00000	screw
145	443113001145	00000	gear cover
146	443113001146	00000	ball bearing
151	443113001151	00000	screw
952	443113001952	00000	Gear housing assembly

Guard / Protection Device Asse

Article number: 443113001904  
Ident number: 00010

## Spare parts

Pos	Art.	Ident number	Product Name
131	443113001131	00000	grinding wheel guard

Complete Motor Assembly

Article number: 443113001905  
Ident number: 00010

## Spare parts

Pos	Art.	Ident number	Product Name
100	443113001100	00000	DC brush-typ motor
101	443113001101	00000	blower
102	443113001102	00000	screw
103	443113001103	00000	motor fitting
129	443113001129	00000	coupling flange

screw assembly

Article number: 443113001906  
Ident number: 00010

## Spare parts

Pos	Art.	Ident number	Product Name
147	443113001147	00000	screw
148	443113001148	00000	standard washer
149	443113001149	00000	spring washer